

CIRCULAR SHUT-OFF DAMPER

RCE

Circular damper RCE is designed to shut off circular ventilation ductworks (Class 4C according to EN1751) in galvanized steel. It is suitable for clean room HVAC applications (laboratories, hospitals...).



CODIFICATION

RC ———> **RC range** - Circular damper

X ———> **E** - Airtightness class 4

CONSTRUCTION

Casing
Galvanized steel
EPDM gasket on blade to ensure an upstream-downstream class 4 airtightness according to EN1751
Male connection with EPDM gasket to ensure frame's airtightness class C according to EN 1751

Blade
Plate in galvanized steel

CONTROL

Manual Ø ≤ 315 mm	Manual control Ø > 315 mm	Damper to be motorized	Motorized damper
			
Position control knob Blocking screw	Position control handle Blocking screw	Smooth shaft Ø16 Length 110 mm	Actuator sized according required torque

PERFORMANCES

	RCE
Downstream airtightness (EN 1751)	Class 4
Frame's airtightness (EN 1751)	Class C
Acceptable velocity	12 m/s
Operating temperature	From -20°C to +80°C

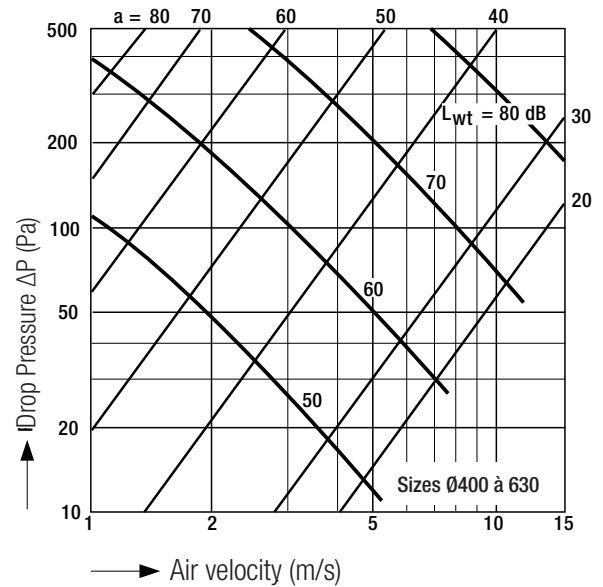
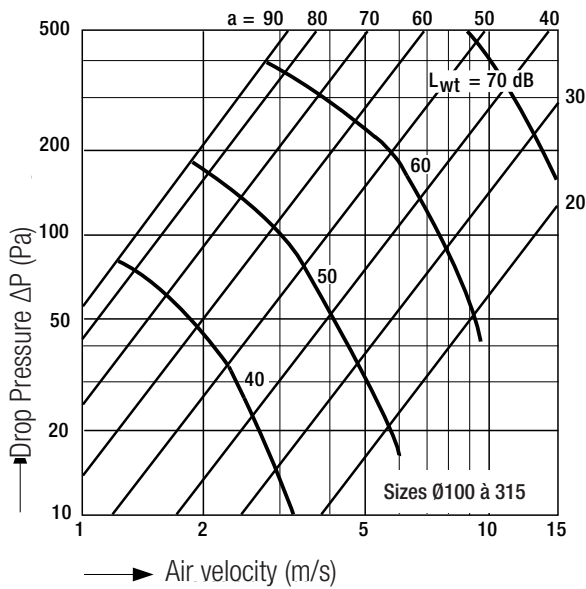
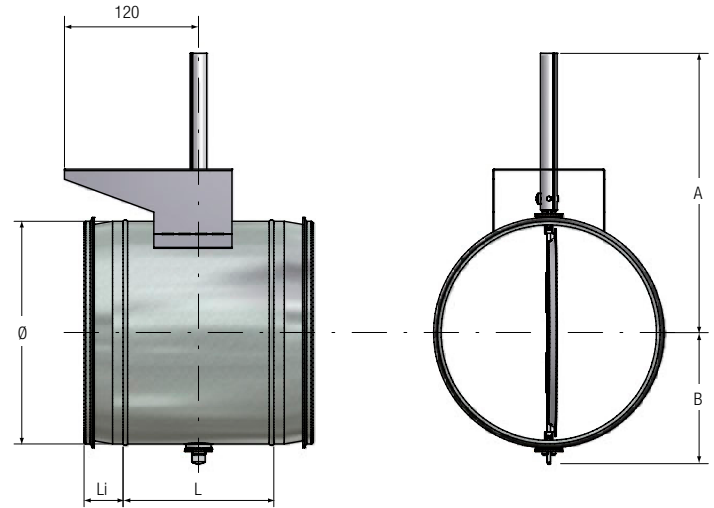
REGISTRE CIRCULAIRE ÉTANCHE

RCE

DIMENSIONS AND RECOMMENDED TORQUES

Ø (mm)	L (mm)	A (mm)	B (mm)	Li (mm)	Weight manual RCE (kg)
100	135	215	50	35	0.65
125	135	227	60	35	0.75
160	135	245	98	35	1.0
200	135	265	118	35	1.2
250	125	290	143	35	1.6
315	125	322.5	175	35	2.0
355	160	354	193	35	2.2
400	160	368	215	60	3.7
450	160	393	240	66	4.4
500	160	418	265	60	5.0
560	160	451	298	60	5.5
630	160	483	330	60	6

RCE manual



α = angle de la lame

