

# SILENCERS WITH CIRCULAR CONNECTION

1.5+

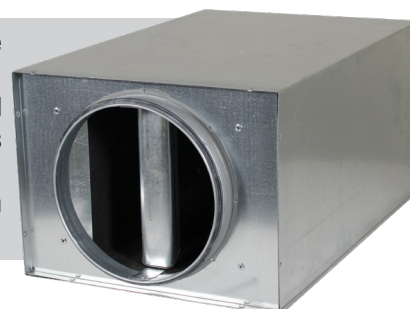
**PREMIUM+**

ACOUSTIC

The PREMIUM+ range silencers with circular connection are designed to optimize acoustic attenuation in circular ductworks and minimize silencer size.

Intended for commercial building and residential applications, they are equipped with a sound-proofing splitter which decreases ventilation noise level and enhances acoustic performances.

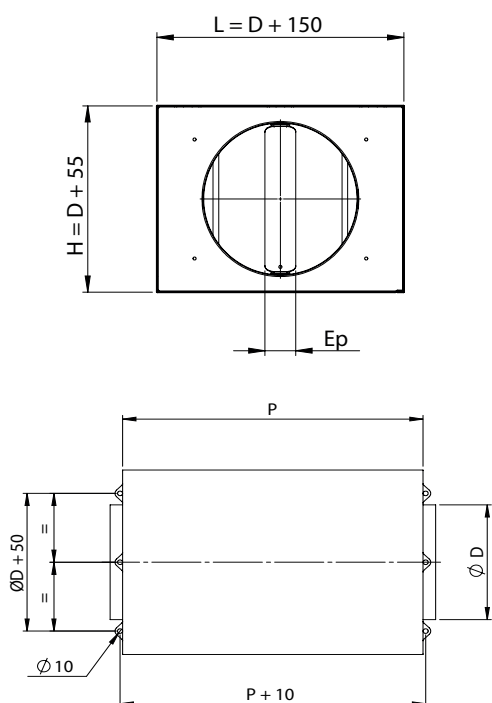
Their aeraulic and acoustic performances have been tested and approved by an independent laboratory (CTTM) according to the standards ISO 7235 : 2009.



## CONSTRUCTION

		Characteristics
Casing	Material	Galvanized steel, sheet thickness 1.0 mm
	Raccordement	Male circular connection with EPDM gasket Minimum airtightness class C
Splitter	Material	Galvanized steel, sheet thickness 0.6 mm for Ep 100 mm Galvanized steel, sheet thickness 0.8 mm for Ep 50 mm
Soundproofing		Mineral wool with anti-erosion fiberglass layer on the surface

## DIMENSIONS



ØD in mm	P in mm	H in mm	L in mm	Ep	Weight in Kg P= 600 mm	Weight in Kg P= 1000 mm
200	600 or 1000	255	350	50	10	15
250		305	400	50	11,5	17,5
315		370	465	50	13,5	21
355		410	505	50	15,5	24
400		455	550	100	17	26
450		505	600	100	18,5	28,5
500		555	650	100	20,5	31

Information and data can not be considered as contractual. Design and data changes may occur without notice during F2A's continuous product development.

# SILENCERS WITH CIRCULAR CONNECTION

## PREMIUM+

### ACOUSTIC PERFORMANCES, ATTENUATIONS

LENGTH 600 mm		Static attenuations (dB)						
Diameter	63 Hz	125 Hz	250 Hz	500 Hz	1000 Hz	2000 Hz	4000 Hz	8000 Hz
Ø200	7	7	15	23	37	45	40	29
Ø250	6	4	11	17	29	40	35	23
Ø315	4	4	9	15	25	34	19	11
Ø355	3	4	8	15	25	30	17	10
Ø400	3	4	8	15	25	29	17	10
Ø450	3	3	7	14	25	24	14	8
Ø500	3	3	7	13	25	18	10	8

LENGTH 1000 mm		Static attenuations (dB)						
Diameter	63 Hz	125 Hz	250 Hz	500 Hz	1000 Hz	2000 Hz	4000 Hz	8000 Hz
Ø200	9	10	22	34	45	45	50	47
Ø250	9	7	18	29	46	46	49	34
Ø315	5	5	14	24	40	48	29	14
Ø355	5	5	13	23	40	43	26	13
Ø400	4	4	13	23	40	42	25	13
Ø450	4	4	12	22	40	35	20	12
Ø500	3	3	11	21	40	27	15	10

Information and data can not be considered as contractual. Design and data changes may occur without notice during F2A's continuous product development..

# SILENCERS WITH CIRCULAR CONNECTION

## PREMIUM+

1.5+

ACOUSTIC

### ACOUSTIC PERFORMANCES, REGENERATIONS

LENGTH 600 mm		Frequencies (Hz)								Tests carried out by an independent laboratory according to ISO 7235 : 2009.		
Diameter (mm)	Air velocity (m/s)	63	125	250	500	1000	2000	4000	8000	Gobal dB	Gobal dB (A)	Pressure losses (Pa)
200	3 m/s	48	42	35	34	22	15	15	15	50	<b>34</b>	20
	5 m/s	51	59	52	51	50	35	28	28	61	<b>53</b>	35
	7 m/s	59	63	60	56	60	50	44	36	67	<b>62</b>	65
	10 m/s	64	68	66	62	60	57	51	46	72	<b>65</b>	135
250	3 m/s	45	35	26	19	12	14	14	14	46	<b>26</b>	5
	5 m/s	48	47	38	33	31	19	19	19	51	<b>37</b>	10
	7 m/s	53	51	47	40	42	30	30	30	56	<b>45</b>	20
	10 m/s	59	57	53	48	48	40	37	31	62	<b>52</b>	40
315	3 m/s	40	33	23	17	11	13	13	13	41	<b>23</b>	5
	5 m/s	49	42	33	25	18	15	15	15	50	<b>31</b>	5
	7 m/s	55	52	43	36	31	25	25	25	57	<b>41</b>	10
	10 m/s	62	60	53	46	47	38	36	31	65	<b>51</b>	20
355	3 m/s	41	33	24	17	11	13	13	13	42	<b>24</b>	5
	5 m/s	49	43	33	26	19	15	15	15	50	<b>31</b>	10
	7 m/s	56	51	43	37	32	25	25	25	57	<b>41</b>	10
	10 m/s	63	60	53	47	47	39	36	31	65	<b>52</b>	20
400	3 m/s	42	33	24	18	12	13	13	13	44	<b>24</b>	5
	5 m/s	49	43	33	27	19	15	15	15	51	<b>32</b>	10
	7 m/s	56	51	43	37	32	25	25	25	58	<b>41</b>	10
	10 m/s	63	60	53	47	47	39	36	31	66	<b>52</b>	25
450	3 m/s	44	33	24	19	12	14	14	14	45	<b>25</b>	5
	5 m/s	50	43	34	28	21	16	16	16	51	<b>33</b>	10
	7 m/s	56	51	43	38	33	26	26	26	58	<b>41</b>	12
	10 m/s	65	60	53	48	47	40	36	31	67	<b>52</b>	25
500	3 m/s	46	33	25	20	13	14	14	14	46	<b>25</b>	5
	5 m/s	51	43	35	30	24	17	17	17	52	<b>33</b>	10
	7 m/s	57	50	42	38	34	27	27	27	58	<b>41</b>	15
	10 m/s	66	60	53	49	48	41	36	31	67	<b>52</b>	30

Information and data can not be considered as contractual. Design and data changes may occur without notice during F2A's continuous product development.

### ACOUSTIC PERFORMANCES, REGENERATIONS

LENGTH 1000 mm		Frequencies (Hz)								Tests carried out by an independent laboratory according to ISO 7235 : 2009.		
Diameter (mm)	Air velocity (m/s)	63	125	250	500	1000	2000	4000	8000	Gobal dB	Gobal dB (A)	Pressure losses (Pa)
200	3 m/s	45	39	34	33	21	15	15	15	47	<b>33</b>	20
	5 m/s	53	51	46	44	38	32	25	24	56	<b>45</b>	45
	7 m/s	59	58	55	51	49	44	38	31	63	<b>54</b>	90
	10 m/s	66	65	64	60	57	54	50	45	71	<b>63</b>	190
250	3 m/s	42	32	25	18	11	15	15	15	43	<b>24</b>	5
	5 m/s	49	38	32	26	19	15	15	15	50	<b>30</b>	15
	7 m/s	53	46	41	36	30	24	24	24	54	<b>38</b>	30
	10 m/s	60	54	51	46	45	37	36	31	62	<b>49</b>	60
315	3 m/s	39	30	22	16	11	14	14	14	40	<b>22</b>	5
	5 m/s	46	37	29	23	16	14	14	14	47	<b>28</b>	10
	7 m/s	53	45	38	33	28	22	22	22	54	<b>36</b>	10
	10 m/s	58	53	48	44	40	35	33	29	60	<b>47</b>	20
355	3 m/s	41	30	22	16	11	14	14	14	41	<b>23</b>	5
	5 m/s	47	38	30	24	17	14	14	14	48	<b>29</b>	10
	7 m/s	53	46	39	33	29	22	22	22	54	<b>37</b>	10
	10 m/s	60	55	49	45	42	36	34	30	62	<b>48</b>	25
400	3 m/s	41	30	22	17	11	14	14	14	42	<b>23</b>	5
	5 m/s	47	38	31	25	18	15	15	15	48	<b>29</b>	10
	7 m/s	53	46	39	34	29	22	22	22	54	<b>37</b>	10
	10 m/s	60	55	49	45	43	36	35	30	62	<b>48</b>	25
450	3 m/s	43	31	23	17	12	14	14	14	44	<b>24</b>	5
	5 m/s	48	40	32	27	19	15	15	15	49	<b>30</b>	10
	7 m/s	54	46	39	35	30	23	23	23	55	<b>38</b>	15
	10 m/s	63	57	51	47	46	38	36	31	64	<b>50</b>	30
500	3 m/s	46	32	23	18	12	14	14	14	46	<b>25</b>	5
	5 m/s	50	41	34	29	22	16	16	16	51	<b>32</b>	10
	7 m/s	54	47	40	36	31	24	24	24	55	<b>39</b>	15
	10 m/s	66	60	53	49	49	41	38	32	67	<b>53</b>	35

Information and data can not be considered as contractual. Design and data changes may occur without notice during F2A's continuous product development.