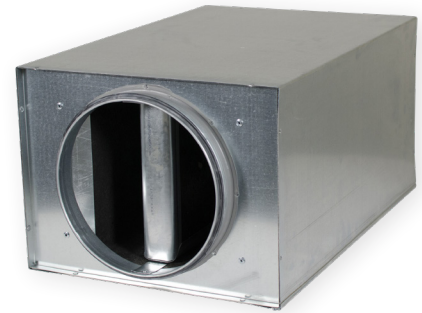


SILENCERS WITH CIRCULAR CONNECTION

PREMIUM+

ACOUSTIC

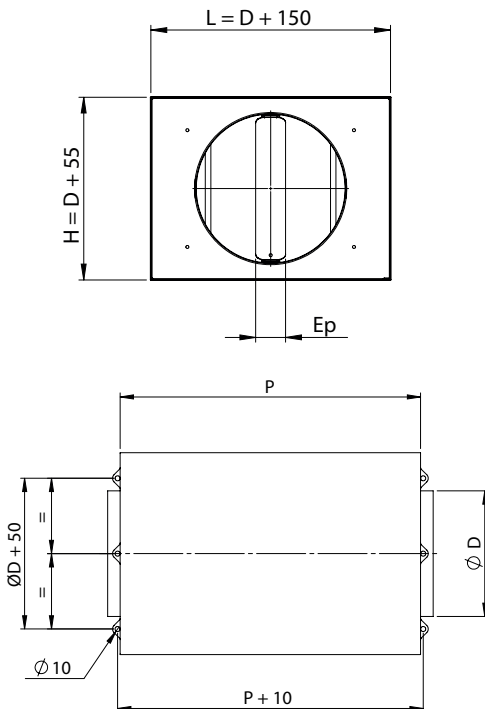
The PREMIUM+ range silencers with circular connection are designed to optimize acoustic attenuation in circular ductworks and minimize silencer size. Intended for commercial building and residential applications, they are equipped with a sound-proofing splitter which decreases ventilation noise level and enhances acoustic performances. Their aeraulic and acoustic performances have been tested and approved by an independent laboratory (CTTM) according to the standards ISO 7235.



CONSTRUCTION

		Characteristics
Casing	Material	Galvanized steel, sheet thickness 1.0 mm
	Raccordement	Male circular connection with EPDM gasket Minimum airtightness class C
Splitter	Material	Galvanized steel, sheet thickness 0.6 mm for Ep 100 mm Galvanized steel, sheet thickness 0.8 mm for Ep 50 mm
Soundproofing		Mineral wool with anti-erosion fiberglass layer on the surface

DIMENSIONS



ØD in mm	P in mm	L in mm	H in mm	Ep	Weight in Kg	
					P= 600 mm	P= 1000 mm
200	600 or 1000	350	255	50	10	15
250		400	305	50	11,5	17,5
315		465	370	50	13,5	21
355		505	410	50	15,5	24
400		550	455	100	17	26
450		600	505	100	18,5	28,5
500		650	555	100	20,5	31

SILENCERS WITH CIRCULAR CONNECTION

PREMIUM+

ACOUSTIC PERFORMANCES, ATTENUATIONS

LENGTH 600 mm	Static attenuations (dB)							
	Diameter	63 Hz	125 Hz	250 Hz	500 Hz	1000 Hz	2000 Hz	4000 Hz
Ø200	7	7	15	23	37	45	40	29
Ø250	6	4	11	17	29	40	35	23
Ø315	4	4	9	15	25	34	19	11
Ø355	3	4	8	15	25	30	17	10
Ø400	3	4	8	15	25	29	17	10
Ø450	3	3	7	14	25	24	14	8
Ø500	3	3	7	13	25	18	10	8

LENGTH 1000 mm	Static attenuations (dB)							
	Diameter	63 Hz	125 Hz	250 Hz	500 Hz	1000 Hz	2000 Hz	4000 Hz
Ø200	9	10	22	34	45	45	50	47
Ø250	9	7	18	29	46	46	49	34
Ø315	5	5	14	24	40	48	29	14
Ø355	5	5	13	23	40	43	26	13
Ø400	4	4	13	23	40	42	25	13
Ø450	4	4	12	22	40	35	20	12
Ø500	3	3	11	21	40	27	15	10

SILENCERS WITH CIRCULAR CONNECTION

PREMIUM+

ACOUSTIC

ACOUSTIC PERFORMANCES, REGENERATIONS

LENGTH 600 mm		Frequencies (Hz)								Tests carried out by an independent laboratory according to ISO 7235 : 2009		
Diameter (mm)	Air velocity (m/s)	63	125	250	500	1000	2000	4000	8000	Gobal dB	Gobal dB (A)	Perte de charge (Pa)
200	3 m/s	48	42	35	34	22	15	15	15	50	34	20
	5 m/s	51	59	52	51	50	35	28	28	61	53	35
	7 m/s	59	63	60	56	60	50	44	36	67	62	65
	10 m/s	64	68	66	62	60	57	51	46	72	65	135
250	3 m/s	45	35	26	19	12	14	14	14	46	26	5
	5 m/s	48	47	38	33	31	19	19	19	51	37	10
	7 m/s	53	51	47	40	42	30	30	30	56	45	20
	10 m/s	59	57	53	48	48	40	37	31	62	52	40
315	3 m/s	40	33	23	17	11	13	13	13	41	23	5
	5 m/s	49	42	33	25	18	15	15	15	50	31	5
	7 m/s	55	52	43	36	31	25	25	25	57	41	10
	10 m/s	62	60	53	46	47	38	36	31	65	51	20
355	3 m/s	41	33	24	17	11	13	13	13	42	24	5
	5 m/s	49	43	33	26	19	15	15	15	50	31	10
	7 m/s	56	51	43	37	32	25	25	25	57	41	10
	10 m/s	63	60	53	47	47	39	36	31	65	52	20
400	3 m/s	42	33	24	18	12	13	13	13	44	24	5
	5 m/s	49	43	33	27	19	15	15	15	51	32	10
	7 m/s	56	51	43	37	32	25	25	25	58	41	10
	10 m/s	63	60	53	47	47	39	36	31	66	52	25
450	3 m/s	44	33	24	19	12	14	14	14	45	25	5
	5 m/s	50	43	34	28	21	16	16	16	51	33	10
	7 m/s	56	51	43	38	33	26	26	26	58	41	12
	10 m/s	65	60	53	48	47	40	36	31	67	52	25
500	3 m/s	46	33	25	20	13	14	14	14	46	25	5
	5 m/s	51	43	35	30	24	17	17	17	52	33	10
	7 m/s	57	50	42	38	34	27	27	27	58	41	15
	10 m/s	66	60	53	49	48	41	36	31	67	52	30

ASRCP_P_03/2020_EN. Information and data can not be considered as contractual. Design and data changes may occur without notice during F2A's continuous product development.

SILENCERS WITH CIRCULAR CONNECTION

PREMIUM+

ACOUSTIC

ACOUSTIC PERFORMANCES, REGENERATIONS

LENGTH 1000 mm		Frequencies (Hz)								Tests carried out by an independent laboratory according to ISO 7235 : 2009.		
Diameter (mm)	Air velocity (m/s)	63	125	250	500	1000	2000	4000	8000	Gobal dB	Gobal dB (A)	Pressure losses (Pa)
200	3 m/s	45	39	34	33	21	15	15	15	47	33	20
	5 m/s	53	51	46	44	38	32	25	24	56	45	45
	7 m/s	59	58	55	51	49	44	38	31	63	54	90
	10 m/s	66	65	64	60	57	54	50	45	71	63	190
250	3 m/s	42	32	25	18	11	15	15	15	43	24	5
	5 m/s	49	38	32	26	19	15	15	15	50	30	15
	7 m/s	53	46	41	36	30	24	24	24	54	38	30
	10 m/s	60	54	51	46	45	37	36	31	62	49	60
315	3 m/s	39	30	22	16	11	14	14	14	40	22	5
	5 m/s	46	37	29	23	16	14	14	14	47	28	10
	7 m/s	53	45	38	33	28	22	22	22	54	36	10
	10 m/s	58	53	48	44	40	35	33	29	60	47	20
355	3 m/s	41	30	22	16	11	14	14	14	41	23	5
	5 m/s	47	38	30	24	17	14	14	14	48	29	10
	7 m/s	53	46	39	33	29	22	22	22	54	37	10
	10 m/s	60	55	49	45	42	36	34	30	62	48	25
400	3 m/s	41	30	22	17	11	14	14	14	42	23	5
	5 m/s	47	38	31	25	18	15	15	15	48	29	10
	7 m/s	53	46	39	34	29	22	22	22	54	37	10
	10 m/s	60	55	49	45	43	36	35	30	62	48	25
450	3 m/s	43	31	23	17	12	14	14	14	44	24	5
	5 m/s	48	40	32	27	19	15	15	15	49	30	10
	7 m/s	54	46	39	35	30	23	23	23	55	38	10
	10 m/s	63	57	51	47	46	38	36	31	64	50	25
500	3 m/s	46	32	23	18	12	14	14	14	46	25	5
	5 m/s	50	41	34	29	22	16	16	16	51	32	10
	7 m/s	54	47	40	36	31	24	24	24	55	39	15
	10 m/s	66	60	53	49	49	41	38	32	67	53	35

ASRCPP_03/2020_EN. Les informations données dans cette fiche technique ne sauraient être considérées comme contractuelles. F2A se réserve le droit de modifier sans préavis les données portées dans ce document, dans le cadre de l'évolution de ses produits.

