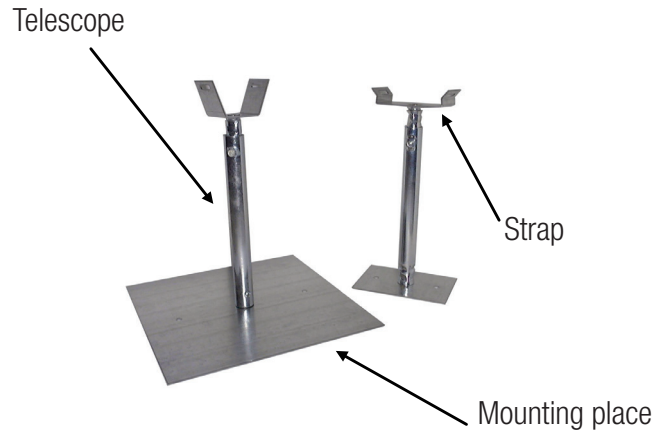


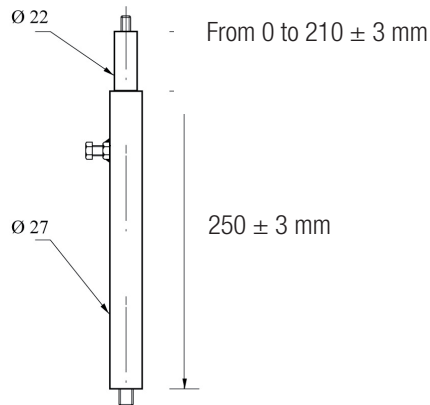
Telescopic leg in galvanized steel for the assembly of ventilation network and cooling systems on a terrace.

They are designed to withstand a vertical load of 280 daN. It is not recommended for a use in traction or flexion.

They are delivered in 3 elements :



- **The telescopic stand**

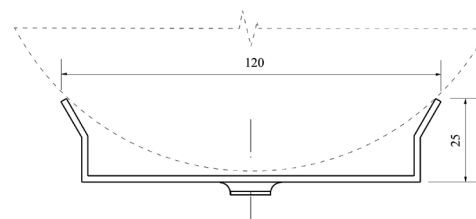
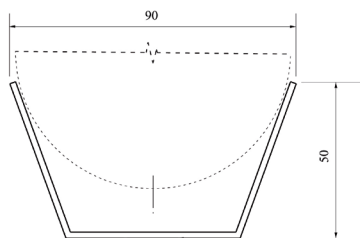


	Characteristics
Material	Acier électrozingué blanc
Construction	Tubes Ø 28 et 22 mm Vis sertie de fixation Ø 8 Vis de blocage Ø 6
Stroke	Mini height : 250 mm Stroke 210 mm

- **The strap**

V strap for conduit from Ø 80 to 125 mm
Galvanized steel construction
Welded fastening bolt Ø 8

U strap for conduit from Ø 160 to 630 mm
Galvanized steel construction
Welded fastening bolt Ø 8



- **Mounting plate**

