

# WEATHER LOUVRE

## SMALL SIZE - GB

VOLUME CONTROL

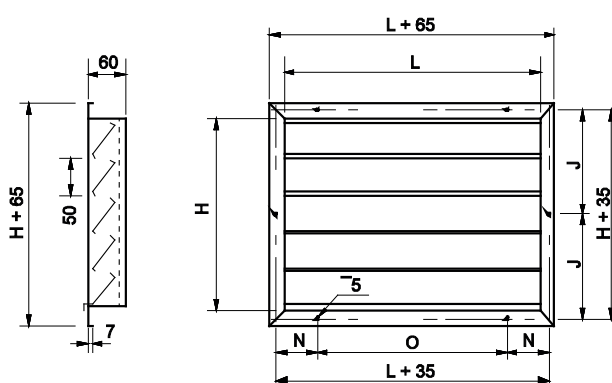
The GB weather louvre can be used for air intake or air exhaust. It is suitable for external wall mounting and is dedicated to HVAC commercial applications.



		Standard	Option
<b>Use</b>		Air intake or air exhaust louvre	
<b>Construction</b>	<b>Frame</b>	Galvanized steel sheet, 60 mm wide	
	<b>Blades</b>	Galvanized steel sheet, 0.8 mm thickness	
	<b>Mesh</b>	Antibird mesh, 12.5x25 mm mesh Galvanized	no mesh
<b>Operating speed</b>		In air exhaust: up to 5 m/s In air intake: up to m/s	
<b>Dimensions</b>		Height: 185 to 985 mm at the step of 100 mm	
		Length: 185 to 985 mm at the step of 100 mm	

### FRAME'S DRILLING

H	J	L	N	O
185	-	185	35	150
285	-	285	35	250
385	210	385	60	300
485	260	485	60	400
585	310	585	60	500
685	360	685	110	500
785	410	785	110	600
885	460	885	110	700
985	510	985	110	800



## WEATHER LOUVRE

### SMALL SIZE - GB

#### WEIGHT (kg)

H \ L	185	285	385	485	585	685	785	885	985
200	2	3	4	4	5	6	6	6	7
600	5	6	7	9	11	12	14	16	17
1000	7	9	12	15	17	19	22	24	27

#### SELECTION

The air flows in the table below are given for a face velocity of 2.5 m/s. For a different air velocity,

H \ L	185	285	385	485	585	685	785	885	985
185	150	245	340	435	530	625	723	818	913
285	248	408	568	725	885	1043	1203	1363	1520
385	348	570	793	1015	1238	1460	1685	1908	2130
485	448	733	1020	1305	1593	1878	2165	2453	2738
585	545	895	1245	1595	1945	2295	2645	2995	3345
685	645	1060	1473	1888	2300	2713	3128	3540	3955
785	745	1245	1700	2178	2655	3130	3608	4085	4563
885	845	1385	1925	2468	3008	3548	4090	4630	5173
985	943	1548	2153	2758	3363	3965	4570	5175	5780

#### PRESSURE DROP

The pressure loss can be read below, according to the air flow velocity (for air exhaust).

